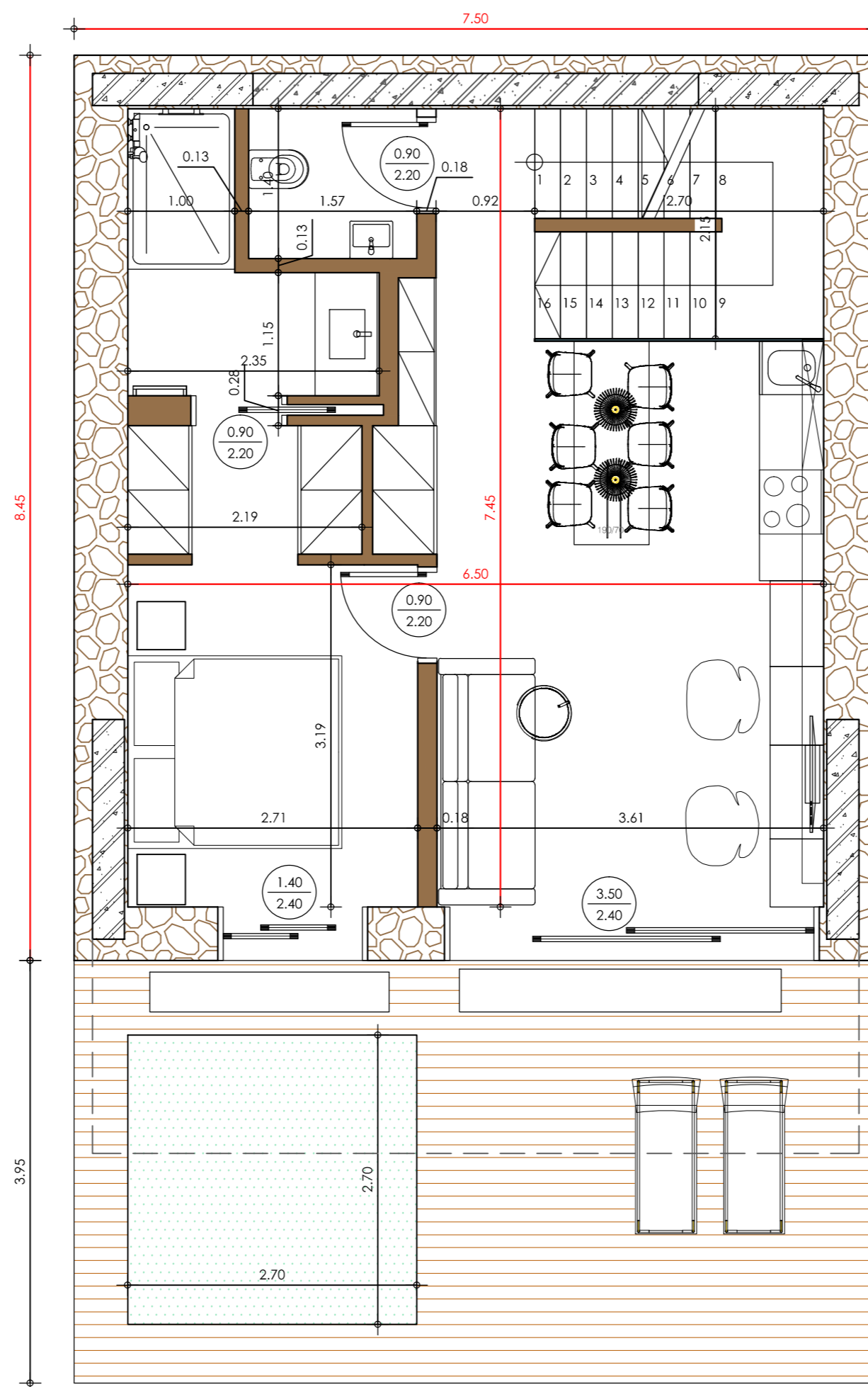
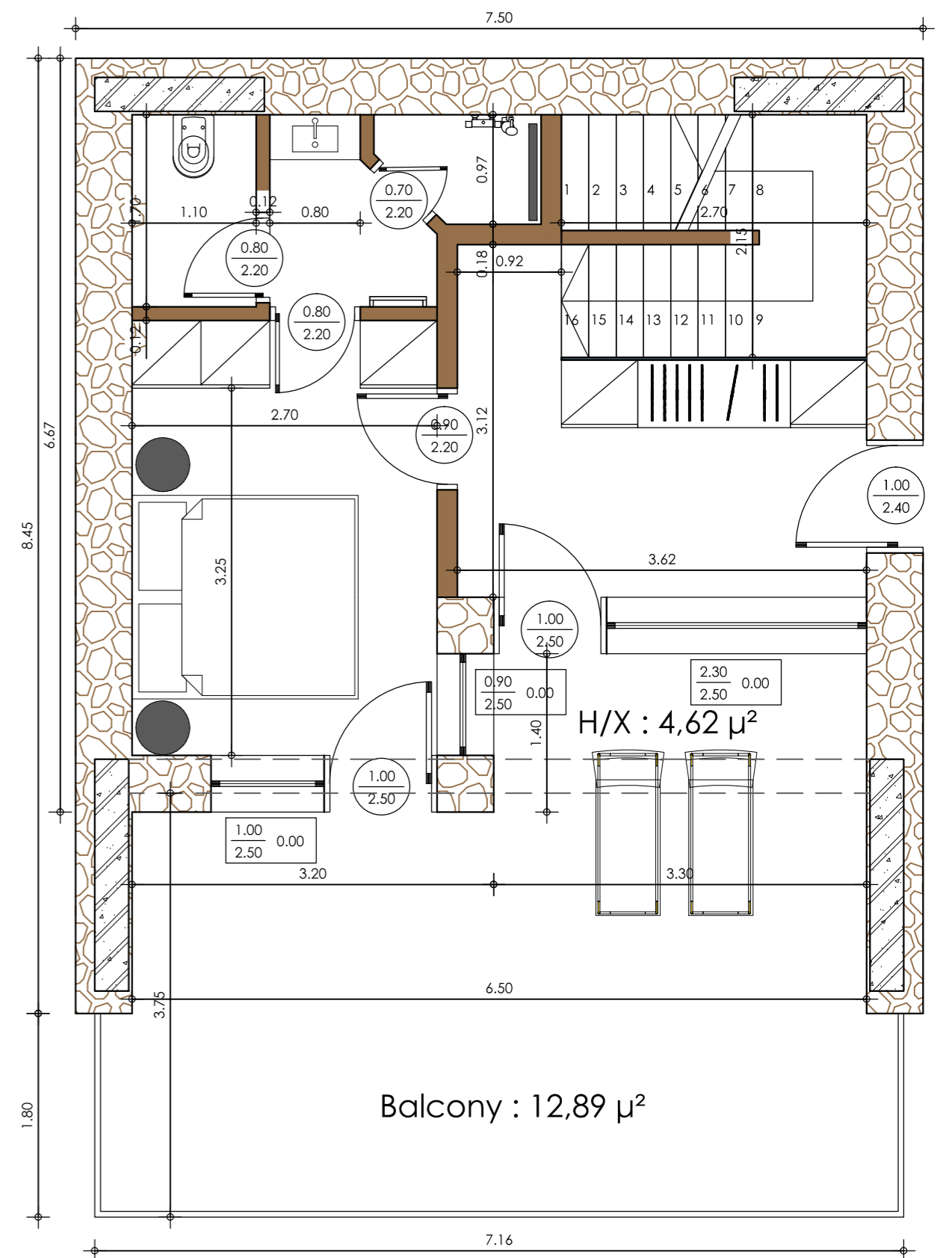


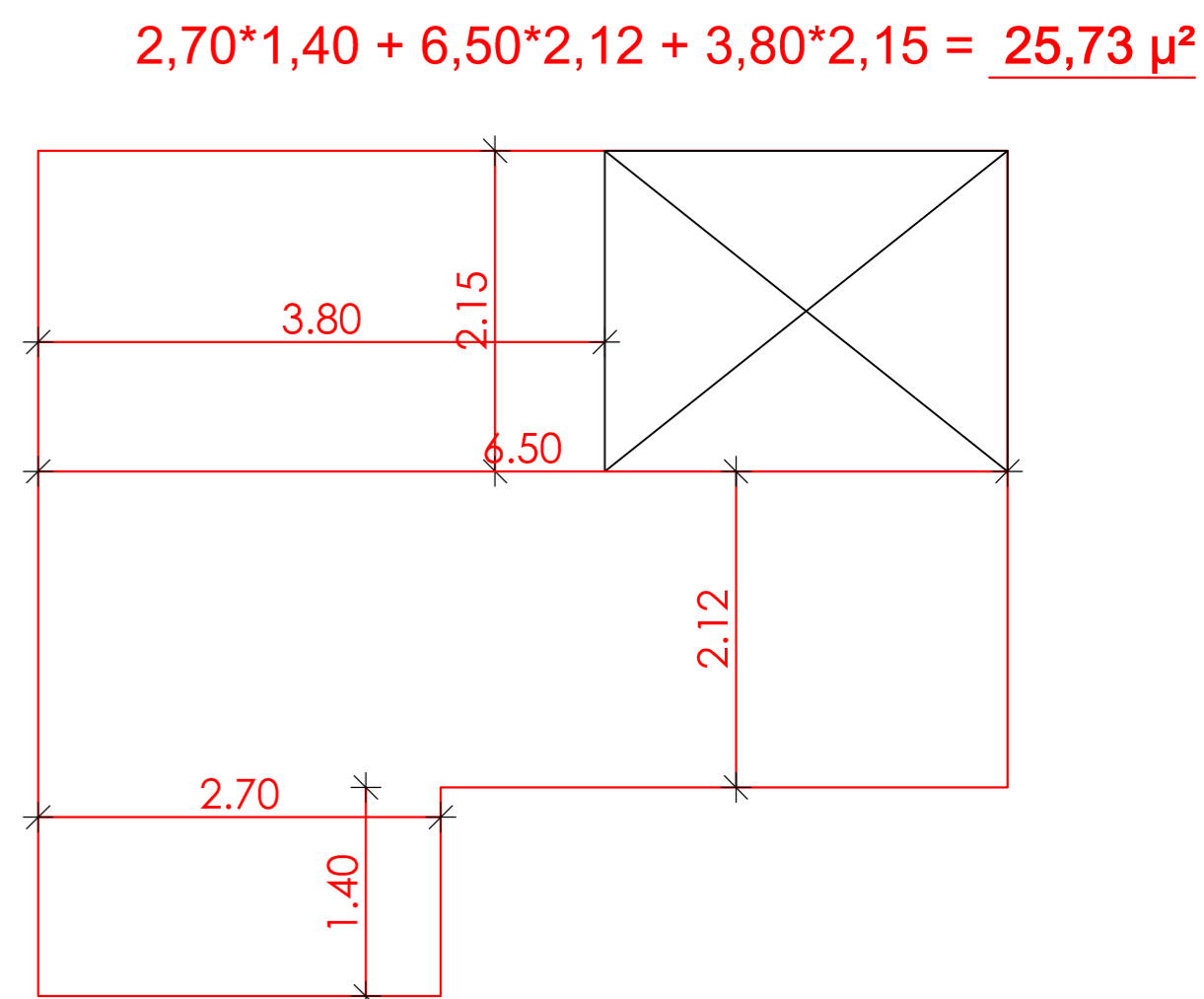
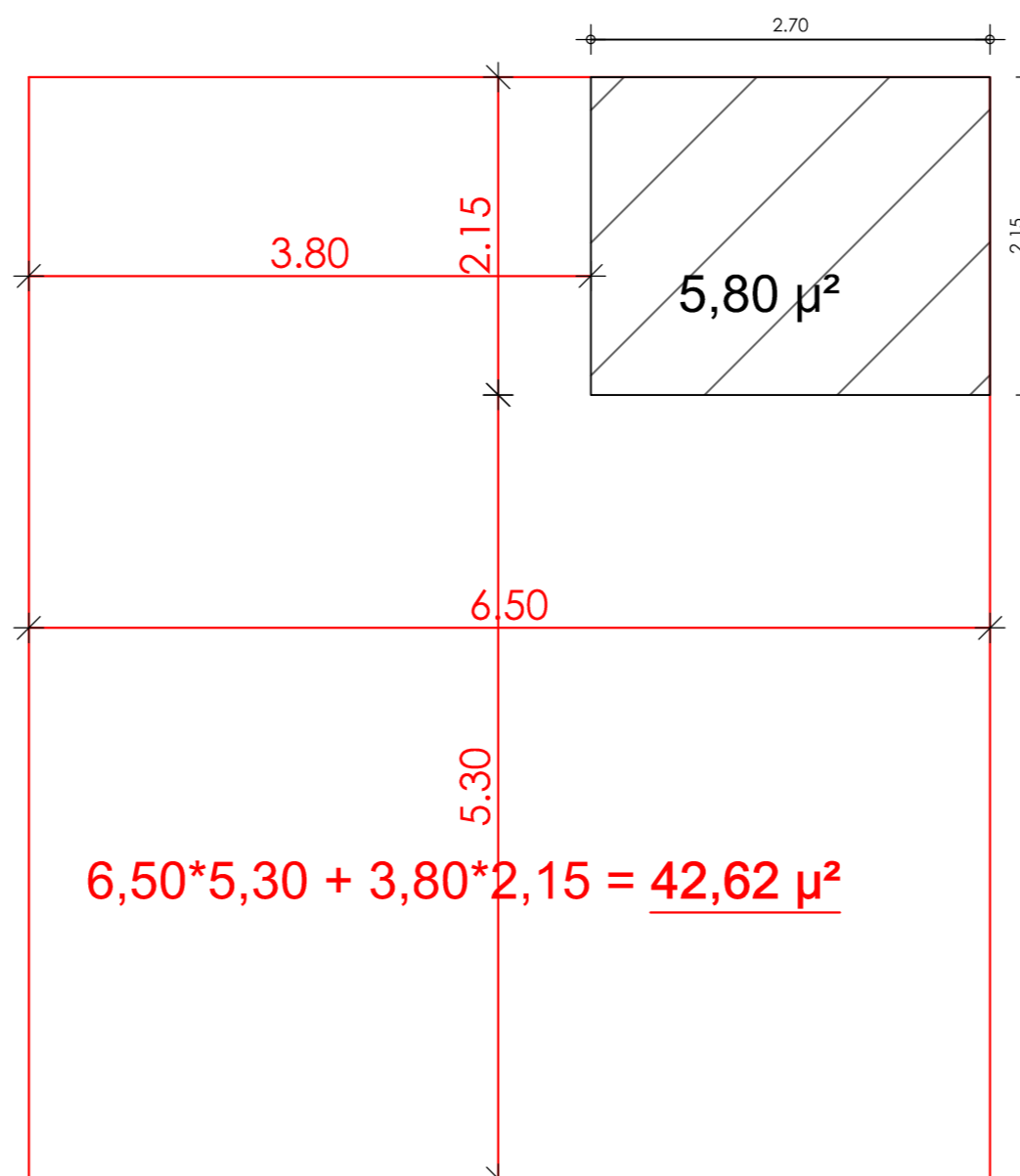
Basement Plan  
E : 56,23  $\mu^2$   
E outside : 93  $\mu^2$



Ground Plan  
E : 48,43  $\mu^2$   
E outside : 63,38  $\mu^2$   
Space counting on building meters : 42,62  $\mu^2$



Floor Plan  
E : 31,54  $\mu^2$   
E outside : 44,71  $\mu^2$   
Space counting on building meters : 25,73  $\mu^2$



$42,62 + 25,73 = 68,35 \mu^2 \times 6 = 410,10 \mu^2 < 422,98 \mu^2$   
Covered outside space  $4,62 \times 6 = 27,72 < 422,98 \times 0,2 = 84,60$

For more than 2000 =  $400 + (\text{Eplot} - 2000) \times 0,05$   
 $400 + 459,69 \times 0,05 = 422,98 \mu^2$